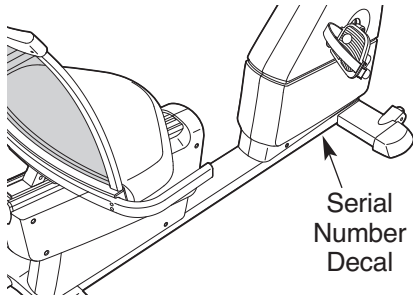


# **NordicTrack**<sup>®</sup> **SL 728**

Model No. NTC4015.2

Serial No. \_\_\_\_\_



## USER'S MANUAL

### QUESTIONS?

As a manufacturer, we are committed to providing complete customer satisfaction. If you have questions, or if parts are damaged or missing, PLEASE CONTACT OUR CUSTOMER SERVICE DEPARTMENT DIRECTLY.

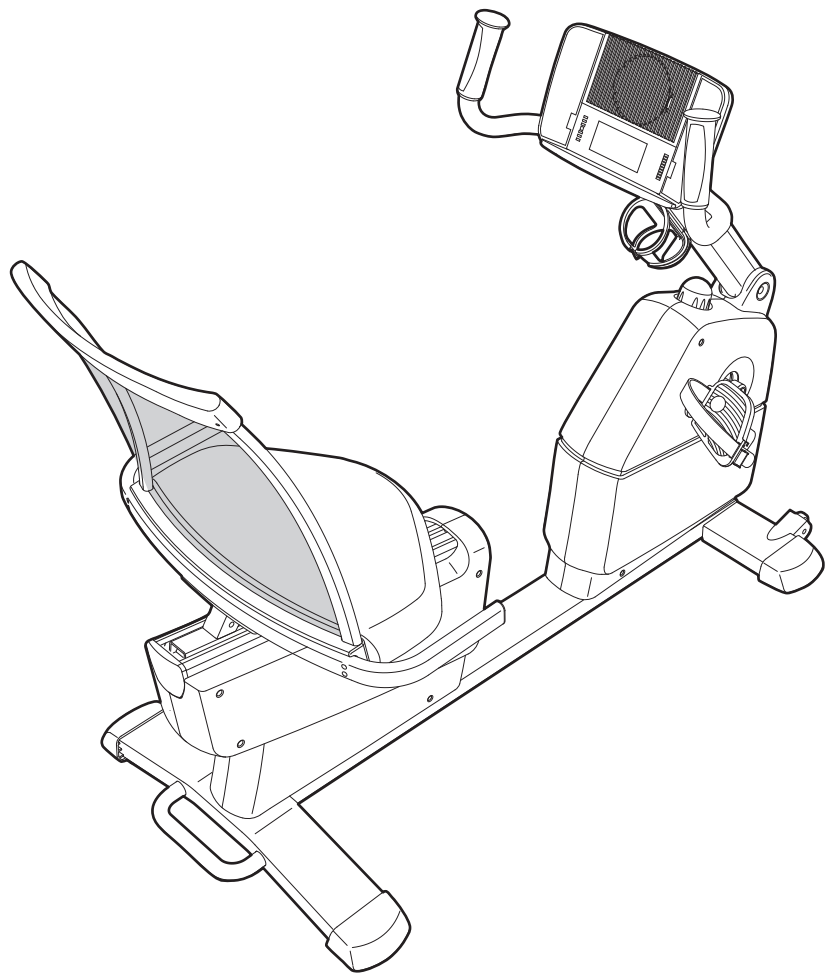
CALL TOLL-FREE:

**1-888-825-2588**

Mon.-Fri., 6 a.m.-6 p.m. MST

ON THE WEB:

[www.nordictrackservice.com](http://www.nordictrackservice.com)



### CAUTION

Read all precautions and instructions in this manual before using this equipment. Keep this manual for future reference.



Visit our website at

[www.nordictrack.com](http://www.nordictrack.com)

new products, prizes,  
fitness tips, and much more!

# TABLE OF CONTENTS

IMPORTANT PRECAUTIONS	.2
BEFORE YOU BEGIN	.3
ASSEMBLY	.4
HOW TO OPERATE THE EXERCISE CYCLE	.8
MAINTENANCE AND TROUBLESHOOTING	.19
CONDITIONING GUIDELINES	.20
PART LIST	.21
EXPLODED DRAWING	.22
HOW TO ORDER REPLACEMENT PARTS	.Back Cover
LIMITED WARRANTY	.Back Cover

NordicTrack is a registered trademark of ICON IP, Inc.

## IMPORTANT PRECAUTIONS

**⚠ WARNING:** To reduce the risk of serious injury, read the following important precautions before using the exercise cycle.

1. Read all instructions in this manual and all warnings on the exercise cycle before using the exercise cycle. Use the exercise cycle only as described in this manual.
2. It is the responsibility of the owner to ensure that all users of the exercise cycle are adequately informed of all precautions.
3. The exercise cycle is intended for home use only. Do not use the exercise cycle in a commercial, rental, or institutional setting.
4. Keep the exercise cycle indoors, away from moisture and dust. Place the exercise cycle on a level surface, with a mat beneath it to protect the floor or carpet. Make sure that there is enough clearance around the exercise cycle to mount, dismount, and use the exercise cycle.
5. Inspect and properly tighten all parts regularly. Replace any worn parts immediately.
6. Keep children under the age of 12 and pets away from the exercise cycle at all times.
7. Wear appropriate clothes when exercising; do not wear loose clothes that could become caught on the exercise cycle. Always wear athletic shoes for foot protection.
8. The exercise cycle should not be used by persons weighing more than 300 pounds.
9. The pulse sensor is not a medical device. Various factors, including the user's movement, may affect the accuracy of heart rate readings. The pulse sensor is intended only as an exercise aid in determining heart rate trends in general.
10. Always keep your back straight when using the exercise cycle; do not arch your back.
11. If you feel pain or dizziness while exercising, stop immediately and cool down.
12. The decal shown on page 3 has been placed on the exercise cycle. If the decal is missing, or if it is not legible, please call the toll-free telephone number on the front cover of this manual and order a free replacement decal. Apply the decal in the location shown.

**⚠ WARNING:** Before beginning this or any exercise program, consult your physician. This is especially important for persons over the age of 35 or persons with pre-existing health problems. Read all instructions before using. ICON assumes no responsibility for personal injury or property damage sustained by or through the use of this product.

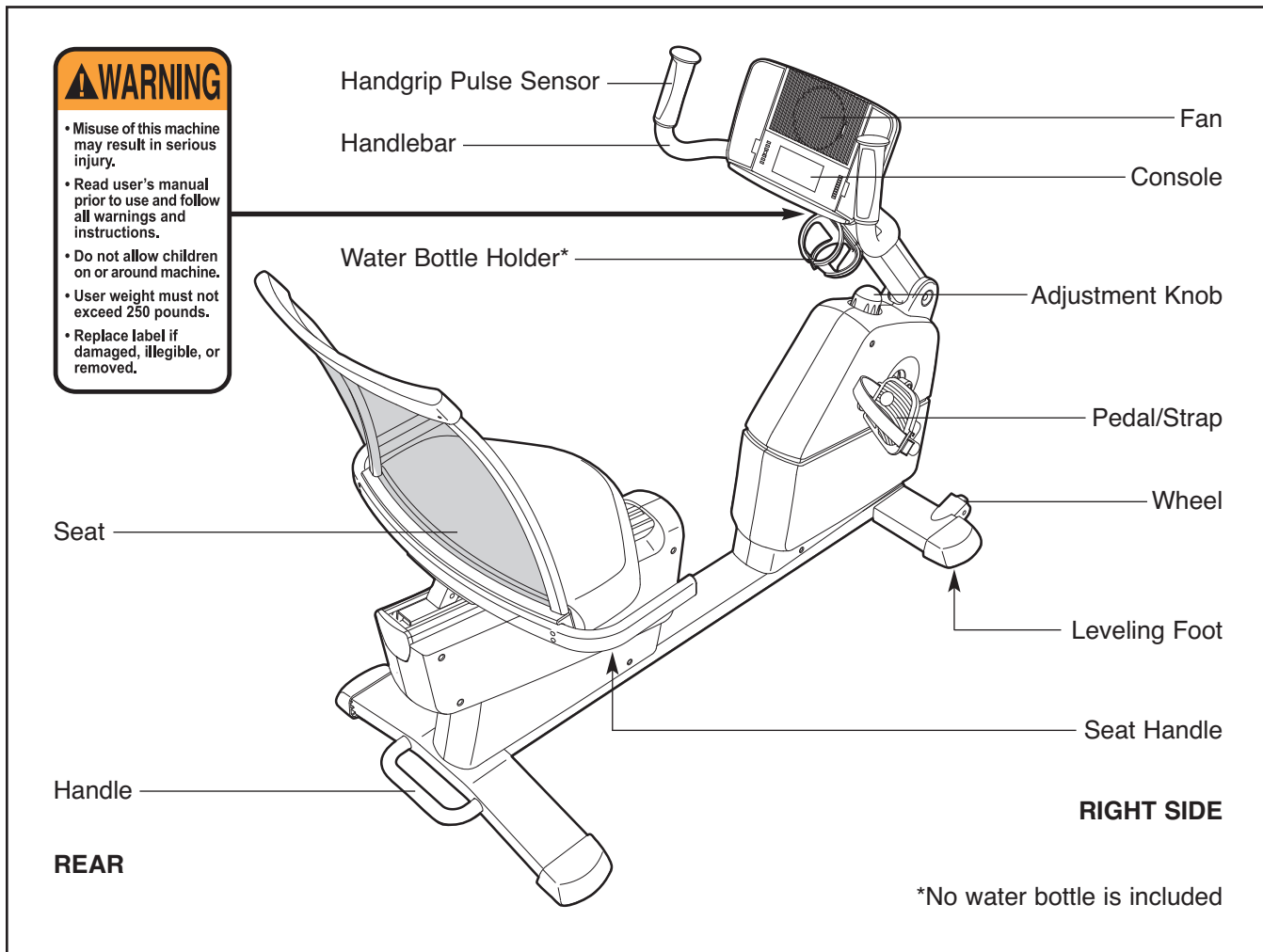
# BEFORE YOU BEGIN

Congratulations for selecting the new NordicTrack® SL 728 exercise cycle. Cycling is one of the most effective exercises for increasing cardiovascular fitness, building endurance, and toning the entire body. The SL 728 exercise cycle offers an impressive array of features to let you enjoy this healthful exercise in the convenience and privacy of your home.

after reading this manual, please see the front cover of this manual. To help us assist you, note the product model number and serial number before calling. The model number is NTC4015.2. The serial number can be found on a decal attached to the exercise cycle (see the front cover of this manual).

**For your benefit, read this manual carefully before you use the exercise cycle.** If you have questions

Before reading further, please familiarize yourself with the parts that are labeled in the drawing below.

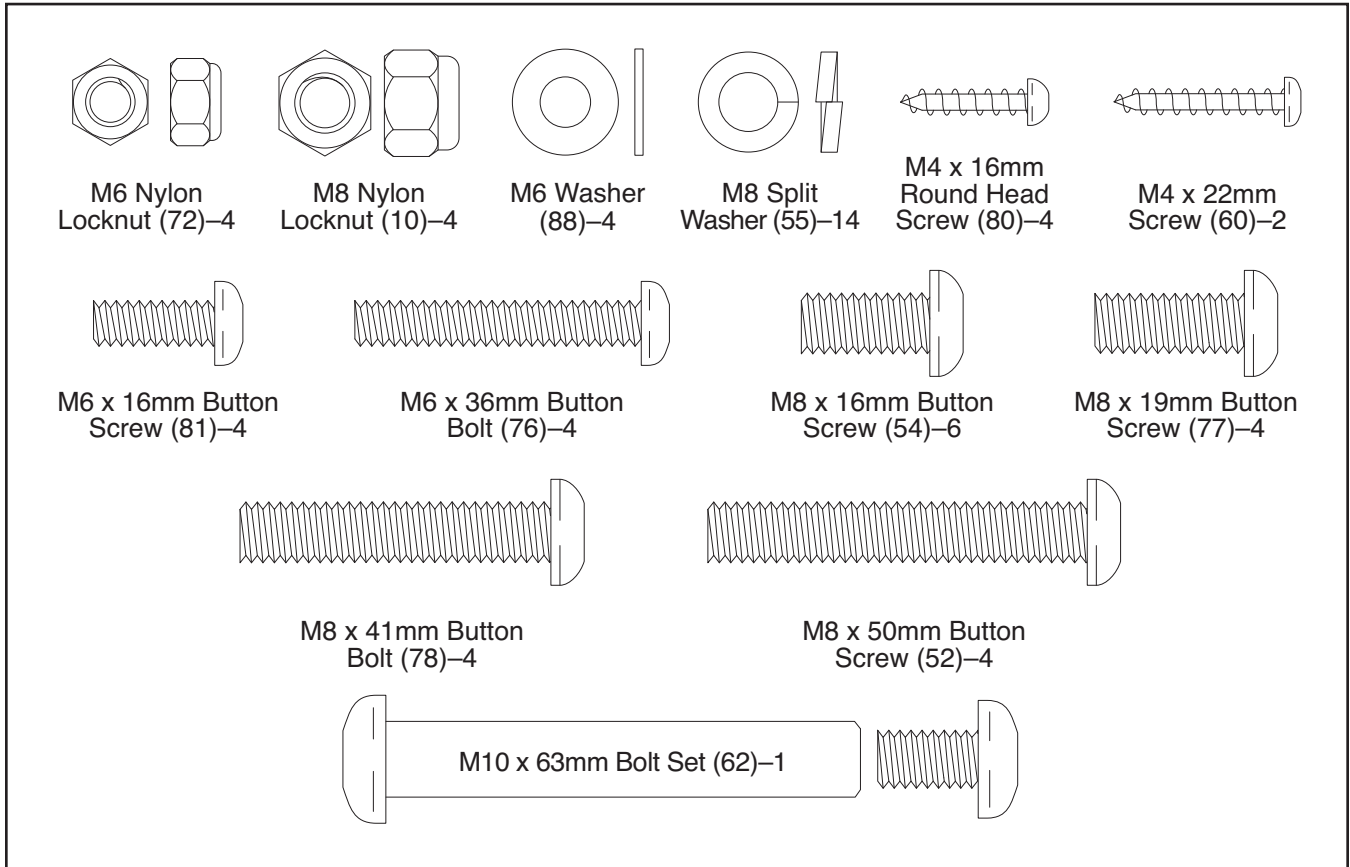


# ASSEMBLY

**Assembly requires two persons.** Place all parts of the exercise cycle in a cleared area and remove the packing materials. Do not dispose of the packing materials until assembly is completed.

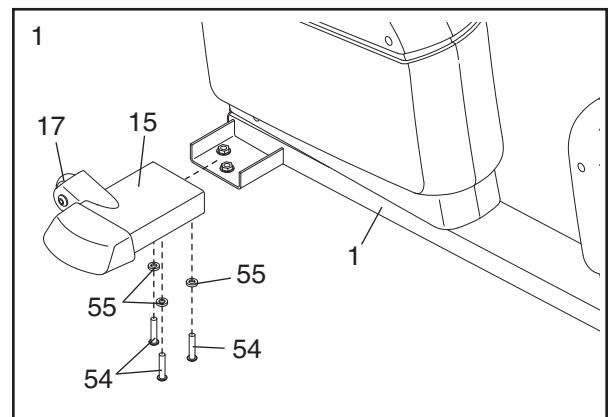
**Assembly requires the included tools and your own adjustable wrench**  **and Phillips screwdriver**  .

Use the part drawings below to identify the small parts used in assembly. The number in parenthesis below each drawing is the key number of the part, from the PART LIST on page 21. The second number is the quantity needed for assembly. **Note: Some small parts may have been pre-attached. If a part is not in the parts bag, check to see if it has been pre-attached.**

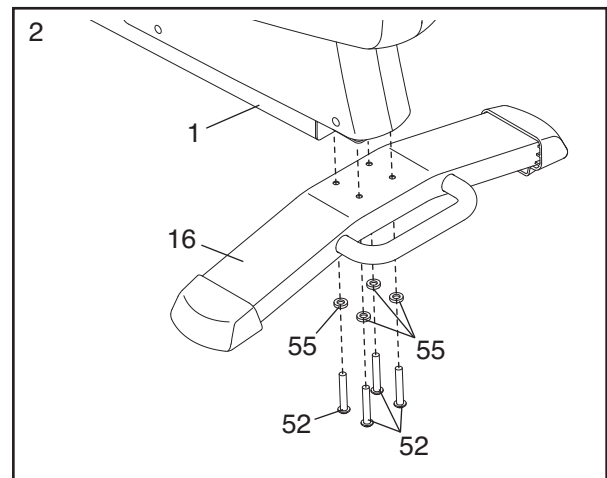


1. Attach the Left Front Stabilizer (15) to the left side of the Frame (1) with three M8 x 16mm Button Screws (54) and three M8 Split Washers (55).

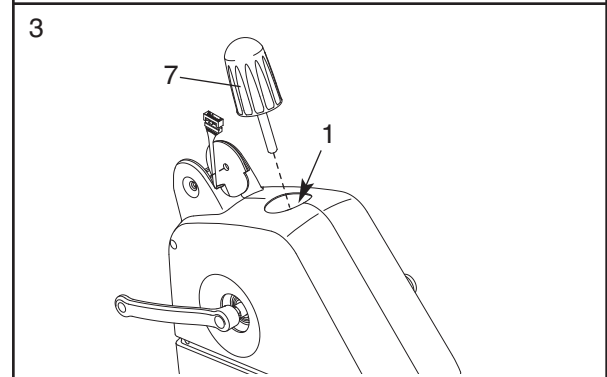
Attach the Right Front Stabilizer (not shown) to the right side of the Frame (1) in the same way.



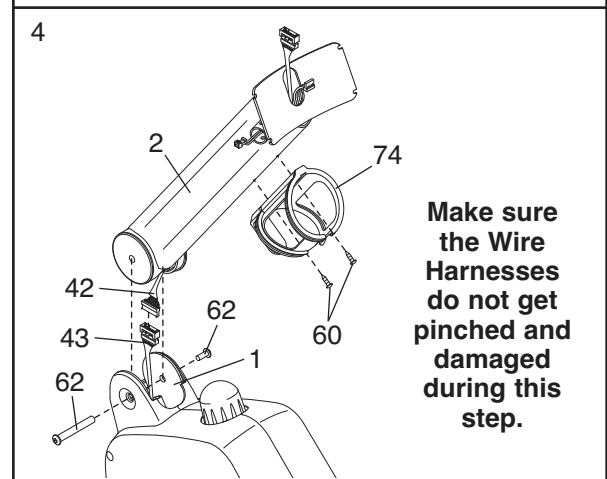
2. While another person lifts the rear of the Frame (1), attach the Rear Stabilizer (16) to the Frame with four M8 x 50mm Button Screws (52) and four M8 Split Washers (55).



3. Turn the Adjustment Knob (7) into the Frame (1).

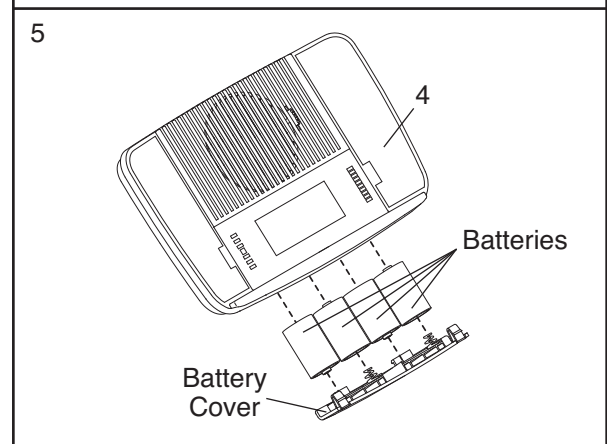


4. While another person holds the Upright (2) near the Frame (1), connect the Upper Wire Harness (42) to the Lower Wire Harness (43). Next, carefully pull the Upper Wire Harness up through the Upright while inserting the Upright into the Frame. Attach the Upright with an M10 x 63mm Bolt Set (62). **Be careful to avoid pinching the Wire Harnesses (42, 43).**



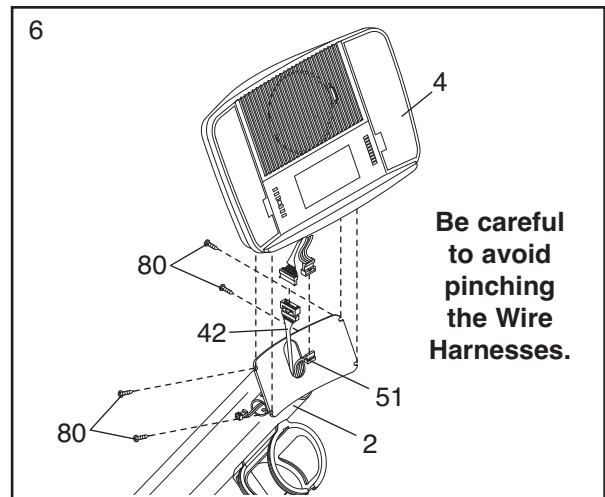
Attach the Water Bottle Holder (74) to the Upright (2) with two M4 x 22mm Screws (60).

5. The Console (4) requires four "D" batteries (not included); alkaline batteries are recommended. Remove the battery cover from the bottom of the Console. Next, insert four batteries into the battery compartment; **make sure that the batteries are oriented as shown by the diagram inside the battery compartment.** Reattach the battery cover.



6. While another person holds the Console (4) near the Upright (2), connect the Upper Wire Harness (42) to the wire harness on the Console, and connect the Pulse Extension Wire (51) to the pulse wire on the Console. Insert the excess wiring into the Upright.

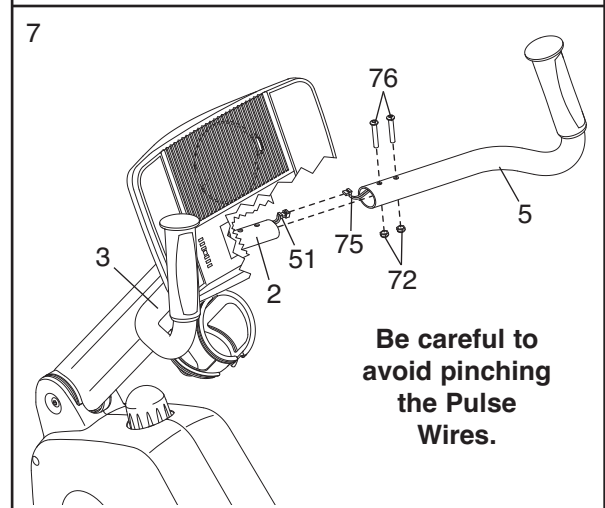
Attach the Console (4) to the Upright (2) with four M4 x 16mm Round Head Screws (80). **Be careful to avoid pinching the wires and wire harnesses.**



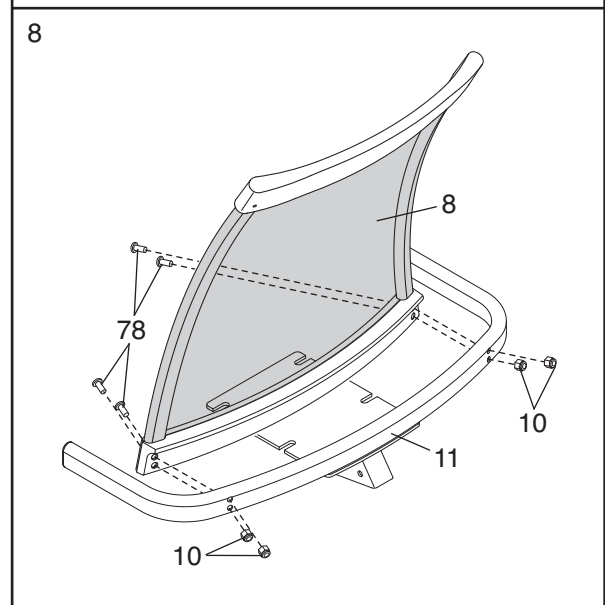
7. Hold the Right Handlebar (5) near the Upright (2), and connect the Pulse Extension Wire (51) to the Pulse Wire (75).

Attach the Right Handlebar (5) to the Upright (2) with two M6 x 36mm Button Bolts (76) and two M6 Nylon Locknuts (72). **Be careful to avoid damaging the Pulse Wires (51, 75).**

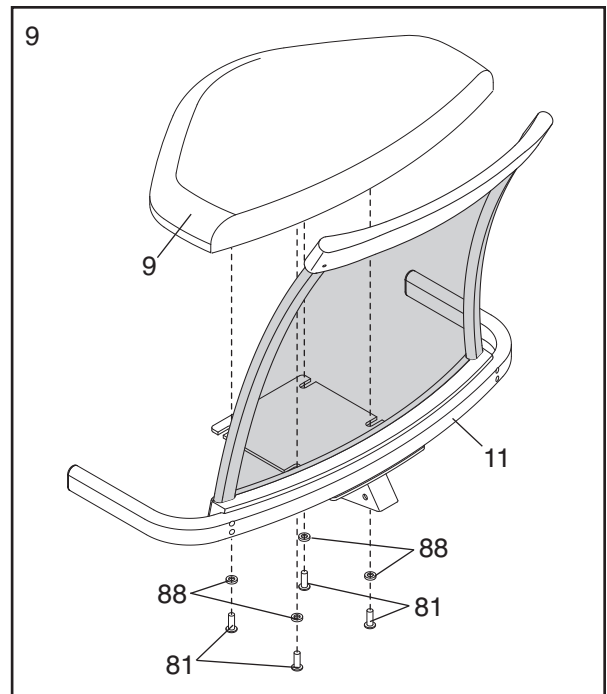
Attach the Left Handlebar (3) to the Upright (2) in the same way.



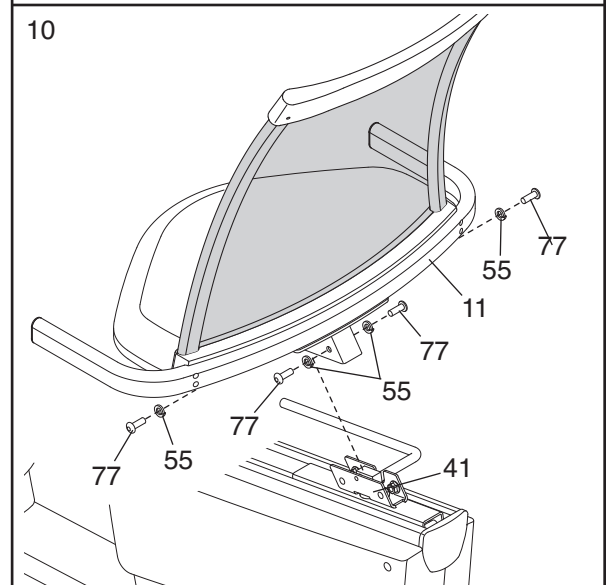
8. Attach the Backrest (8) to the Seat Bracket (11) with four M8 x 41mm Button Bolts (78) and four M8 Nylon Locknuts (10). **Start all four Button Bolts and Nylon Locknuts before you tighten any of them.**



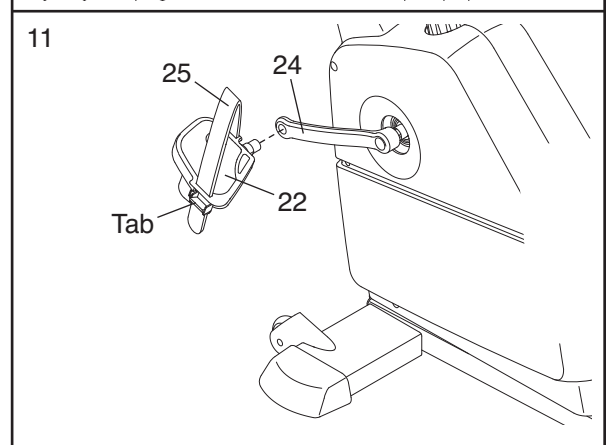
9. Attach the Seat (9) to the Seat Bracket (11) with four M6 x 16mm Button Screws (81) and four M6 Washers (88).



10. Attach the Seat Bracket (11) to the Seat Carriage (41) with four M8 x 19mm Button Screws (77) and four M8 Split Washers (55).



11. Identify the Left Pedal (22), which is marked with an "L." Using an adjustable wrench, **firmly tighten** the Left Pedal *counterclockwise* into the Left Crank Arm (24). Tighten the Right Pedal (not shown) *clockwise* into the Right Crank Arm (not shown). **Important: Tighten both Pedals as firmly as possible. After using the exercise cycle for one week, retighten the Pedals.**



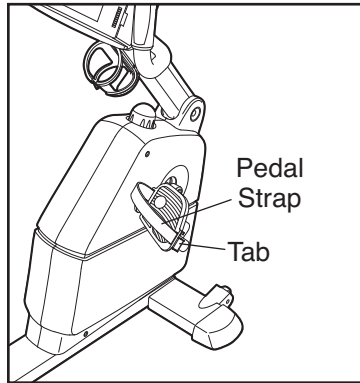
Adjust the Left Pedal Strap (25) to the desired position, and press the end of the Left Pedal Strap onto the tab on the Left Pedal (22). Adjust the Right Pedal Strap (not shown) in the same way.

12. **Make sure that all parts are properly tightened before you use the exercise cycle.** Note: After assembly is completed, some extra parts may be left over. Place a mat beneath the exercise cycle to protect the floor.

# HOW TO OPERATE THE EXERCISE CYCLE

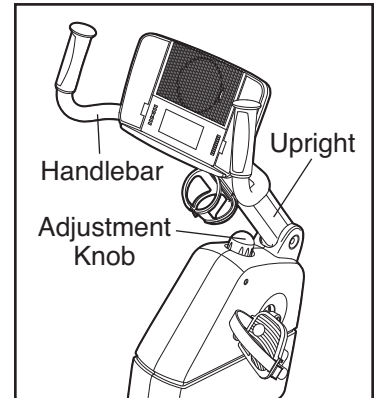
## HOW TO ADJUST THE PEDAL STRAPS

To adjust the pedal straps, first pull the ends of the straps off the tabs on the pedals. Adjust the straps to the desired position, and then press the ends of the straps back onto the tabs.



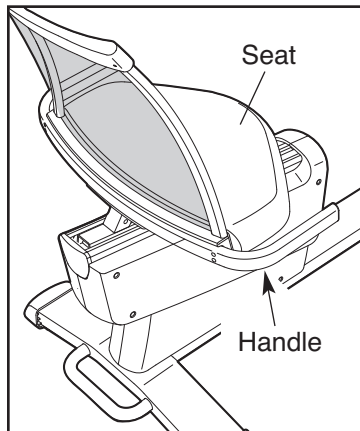
## HOW TO ADJUST THE HANDLEBARS

The handlebars can be adjusted to the position that is the most comfortable for you. To adjust the handlebars, first raise the handlebars so that the upright is not resting on the adjustment knob. Next, turn the adjustment knob counterclockwise to raise the handlebars or clockwise to lower them. Then, rest the upright on the adjustment knob.



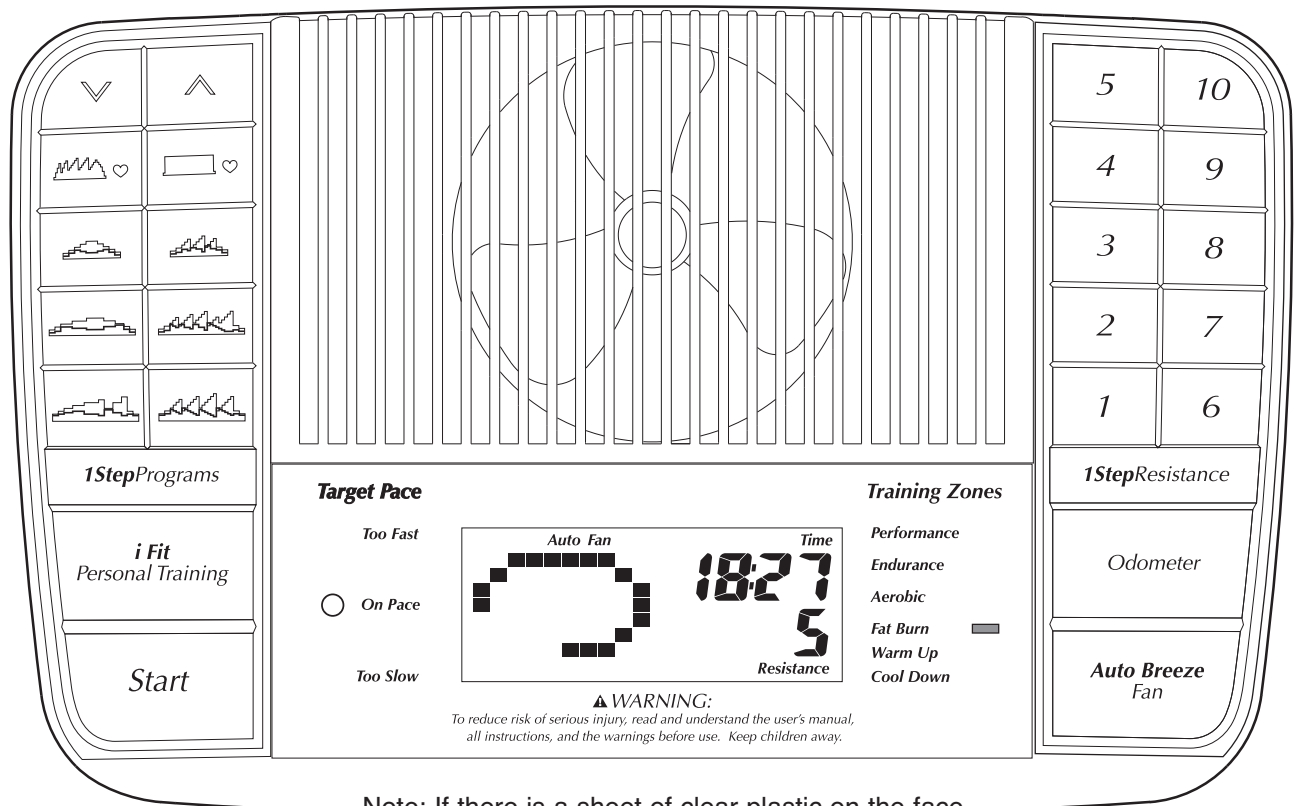
## HOW TO ADJUST THE SEAT

The seat can be adjusted forward or backward to the position that is the most comfortable for you. To adjust the seat, push down on the seat handle, slide the seat to the desired position, and then pull up on the handle to lock the seat in place.





## CONSOLE DIAGRAM



Note: If there is a sheet of clear plastic on the face of the console, remove the plastic before using the console.

## FEATURES OF THE CONSOLE

The advanced console offers a selection of features designed to make your workouts more enjoyable and effective. When the manual mode of the console is selected, the resistance of the pedals can be changed with the touch of a button. As you exercise, the console will provide continuous exercise feedback. You can even measure your heart rate using the handgrip pulse sensor.

The console also offers six preset programs. Each program automatically changes the resistance of the pedals and prompts you to increase or decrease your pace as it guides you through an effective workout.

In addition, the console features two heart rate programs that automatically change the resistance of the pedals and prompt you to vary your pace to keep your heart rate near a target heart rate while you exercise.

The console also features iFIT.com interactive technology. Having iFIT.com technology is like having a personal trainer in your home. Using the included stereo

audio cable, you can connect the exercise cycle to your portable stereo, home stereo, computer, or VCR and play special iFIT.com CD and video programs (iFIT.com CDs and videocassettes are available separately). iFIT.com programs automatically control the resistance of the pedals and prompt you to vary your pace as a personal trainer coaches you through every step of your workout. High-energy music provides added motivation. **To purchase iFIT.com CDs and videocassettes, call the toll-free telephone number on the front cover of this manual.**

With the exercise cycle connected to your computer, you can also go to our Web site at [www.iFIT.com](http://www.iFIT.com) and access programs directly from the internet. **Explore [www.iFIT.com](http://www.iFIT.com) for more information.**

**To use the manual mode of the console**, follow the steps beginning on page 10. **To use a preset program**, see page 12. **To use a heart rate program**, see page 13. **To use an iFIT.com CD or video program**, see page 17. **To use an iFIT.com program directly from our Web site**, see page 18.

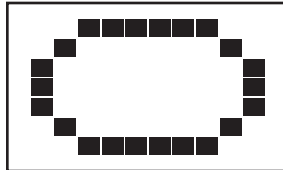
## HOW TO USE THE MANUAL MODE

### 1 Press any button on the console or begin pedaling to turn on the console.

A few seconds after the console is turned on, the displays will light. A tone will then sound and the console will be ready for use.

### 2 Select the manual mode.

If you have selected a program or the iFIT.com mode, reselect the manual mode by pressing the iFIT button once or twice until a track appears in the matrix but the letters “iFIT” do not appear.



### 3 Begin pedaling and change the resistance of the pedals as desired.

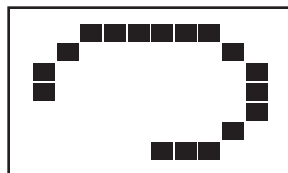
As you pedal, change the resistance of the pedals by pressing the 1 Step Resistance buttons. Note: After the 1 Step Resistance buttons are pressed, it will take a moment for the exercise cycle to reach the selected resistance level.



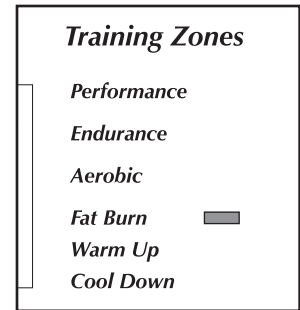
### 4 Monitor your progress with the matrix, the Training Zones bar, and the displays.

**The matrix**—When the manual mode or the iFIT.com mode is selected, the matrix will show a track representing 1/4 mile.

As you exercise, the indicators around the track will light in succession until the entire track is lit. The track will then darken and the indicators will again begin to light in succession.

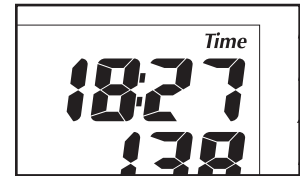


**The Training Zones bar**—The Training Zones bar will show the approximate intensity level of your exercise.



### The upper display—

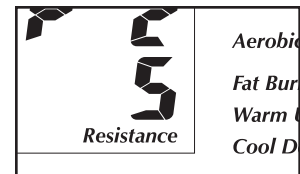
The upper display will show the approximate number of grams of carbs you have burned, the approximate number of calories you have burned, the distance you have pedaled, and the elapsed time. The display will change from one number to the next every few seconds. Note: When a program is selected, the display will show the time remaining in the program instead of the elapsed time.



To see the total distance pedaled since the exercise cycle was purchased, press the Odometer button twice; the words “Total Dist.” and the total number of miles will appear in the display. To again see the distance that you have pedaled during your workout, press the Odometer button again.

### The lower display—

The lower display will show your pedaling pace, in revolutions per minute (RPM), your pedaling speed, and the resistance level of the pedals. The display will change from one number to the next every few seconds. The display will also show your heart rate when you use the handgrip pulse sensor.



**Note: The console can show speed and distance in either miles or kilometers.**

The letters MPH or Km/H will appear in the lower display to show which unit of measurement is selected. To change the unit of measurement, first hold down the Start button for a few seconds. An E (for English) or an M (for metric) will appear in the lower display. Press the 1 Step Resistance 10 button to change the unit of measurement. Note: When the batteries are replaced, it may be necessary to reselect the desired unit of measurement.

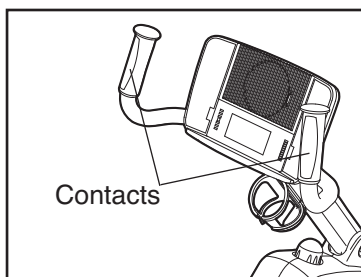


While you are selecting a unit of measurement, you can also select a backlight mode. The "On" mode keeps the backlight on while the console is on. The "Off" mode turns the backlight off. To conserve the batteries, the "Auto" mode keeps the backlight on only while you are exercising. Press the 1 Step Resistance 1 button to change the backlight mode if desired. Then, press the Start button.

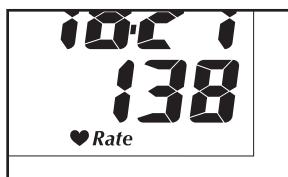


## 5 Measure your heart rate if desired.

**If there are thin sheets of plastic on the metal contacts on the handgrip pulse sensor, peel off the plastic.** To measure your heart rate, hold the handgrip pulse sensor, with your palms resting against the metal contacts. **Avoid moving your hands or gripping the contacts tightly.**



When your pulse is detected, your heart rate will be shown in the lower display. For the most accurate heart rate reading, hold the contacts for at least 15 seconds.

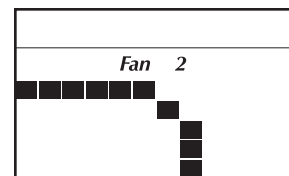


Note: If you continue to hold the handgrip pulse sensor, the lower display will show your heart rate for up to 30 seconds. The display will then show your heart rate along with the other modes.

If your heart rate is not shown, make sure that your hands are positioned as described. Be careful not to move your hands excessively or to squeeze the metal contacts too tightly. For optimal performance, clean the metal contacts using a soft cloth; **never use alcohol, abrasives, or chemicals.**

## 6 Turn on the fan if desired.

To turn on the fan at low speed, press the Auto Breeze Fan button; the number 1 will appear next to the word "Fan" in the display. To turn on the fan at medium speed, press the button a second time; the number 2 will appear. To turn on the fan at high speed, press the button a third time; the number 3 will appear. To select the auto mode, press the button again; the words "Auto Fan" will appear. When the auto mode is selected, the speed of the fan will automatically increase or decrease as you increase or decrease your pedaling speed.



To turn off the fan, press the Auto Breeze Fan button again. Note: If the pedals are not turned for a few minutes, the fan will automatically turn off.

Slide the thumb tab on the right side of the fan to pivot the fan to the desired angle.

## 7 When you are finished exercising, the console will automatically turn off.

If the pedals are not moved for several seconds, a tone will sound, the console will pause, and the time will begin to flash in the upper display.

If the pedals are not moved for about five minutes, the console will turn off and the displays will be reset.

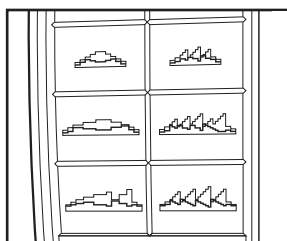
## HOW TO USE A PRESET PROGRAM

### 1 Press any button on the console or begin pedaling to turn on the console.

See step 1 on page 10.

### 2 Select one of the six preset programs.

To select a preset program, press one of the six preset program buttons; “P 3,” “P 4,” “P 5,” “P 6,” “P 7,” or “P 8” will appear in the upper display.

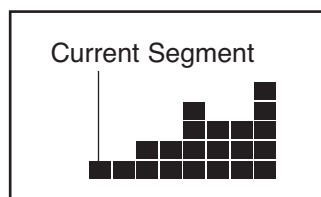


When a preset program is selected, a profile of the resistance settings of the program will scroll across the matrix and the maximum resistance setting of the program will flash in the lower display. A few seconds after a program is selected, the upper display will show how long the program will last.

### 3 Press the Start button or begin pedaling to start the program.

Each program is divided into several one-minute segments. One resistance setting and one pace setting are programmed for each segment. Note: The same resistance setting and/or pace setting may be programmed for two or more consecutive segments.

The resistance setting for the first segment will be shown in the flashing Current Segment column of the matrix. (The pace settings are not shown in the matrix.) The resistance settings for the next several segments will be shown in the columns to the right.



As you exercise, the Target Pace guide will help you to keep your pedaling pace near the pace setting for the current segment. When one of the “Too Slow” indicators lights, increase your pace.

When the one of the “Too Fast” indicators lights, decrease your pace. When the “On Pace” indicator lights, maintain your current pace.

Target Pace	Target Pace	Target Pace
Too Fast	Too Fast	Too Fast
○ On Pace	○ On Pace	● On Pace
▲ Too Slow	Too Slow	Too Slow

**Important: The pace settings are intended only to provide motivation. Your actual pace may be slower than the pace settings. Make sure to exercise at a pace that is comfortable for you.**

When only three seconds remain in the first segment of the program, both the Current Segment column and the column to the right will flash, a series of tones will sound, and *all resistance settings will move one column to the left*. The resistance setting for the second segment will then be shown in the flashing Current Segment column, and the resistance of the pedals will change to the resistance setting for the second segment. Note: If all of the indicators in the Current Segment column are lit after the resistance settings have moved to the left, *the resistance settings may move downward* so only the highest indicators appear in the matrix.

The program will continue until the resistance setting for the last segment is shown in the Current Segment column and the last segment ends.

Note: During the program, you can override the resistance setting for the current segment, if desired, by pressing the 1 Step Resistance buttons. However, when the next segment begins, the resistance will change if a different resistance setting is programmed for the next segment.

If you stop pedaling for several seconds, a tone will sound and the program will pause. To restart the program, simply resume pedaling.

**4 Monitor your progress with the displays.**

See step 4 on page 10.

**5 Measure your heart rate if desired.**

See step 5 on page 10.

**6 Turn on the fan if desired.**

See step 6 on page 11.

**7 When you are finished exercising, the console will automatically turn off.**

See step 7 on page 11.

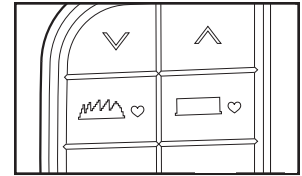
**HOW TO USE A HEART RATE PROGRAM**

**1 Press any button on the console or begin pedaling to turn on the console.**

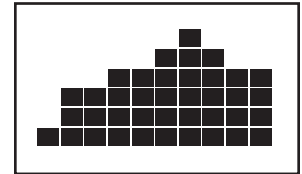
See step 1 on page 10.

**2 Select one of the two heart rate programs.**

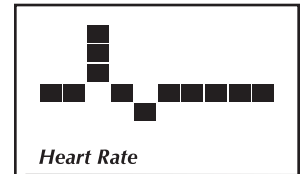
To select a heart rate program, press one of the two heart rate program buttons; "P 1" or "P 2" will appear in the upper display. A few seconds after a program is selected, the upper display will show how long the program will last.



**If the first heart rate program (P 1) is selected,** a profile of the target heart rate settings of the program will scroll across the matrix.

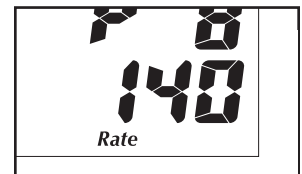


**If the second heart rate program (P 2) is selected,** a pulse symbol will appear in the matrix.



**3 Enter a target heart rate setting.**

**If the first heart rate program is selected,** the maximum target heart rate setting of the program will flash in the lower display. If desired, press the



increase and decrease buttons to change the maximum target heart rate setting (**see EXERCISE INTENSITY on page 20**). Note: If the maximum target heart rate setting is changed, the intensity level of the entire program will change.

**If the second heart rate program is selected,** the target heart rate setting for the program will flash in the lower display. If desired, press the increase and decrease buttons to change the target heart rate setting (**see EXERCISE INTENSITY on page 20**). Note: The same target heart rate setting will be programmed for all segments.

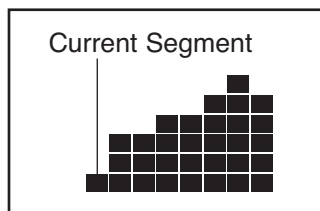
**4 Hold the handgrip pulse sensor.**

It is not necessary to hold the handgrip pulse sensor continuously during a heart rate program; however, you should hold the handgrip pulse sensor frequently for the program to operate properly. **Each time you hold the handgrip pulse sensor, keep your hands on the metal contacts for at least 30 seconds.**

**5 Press the Start button to start the program.**

The first heart rate program is divided into 20 one-minute segments. One target heart rate setting is programmed for each segment. Note: The same target heart rate setting may be programmed for two or more consecutive segments.

The target heart rate setting for the first segment will be shown in the flashing Current Segment column of the matrix. The target heart rate settings for the next several segments will be shown in the columns to the right.



When only three seconds remain in the first segment of the program, both the Current Segment column and the column to the right will flash, a series of tones will sound, and *all target heart rate settings will move one column to the left.* The target heart rate setting for the second segment will then be shown in the flashing Current Segment column.

The second heart rate program is divided into 40 one-minute segments. The same target heart rate is programmed for all segments. Note: For a shorter workout, stop exercising or select a different program before the program ends.

During both heart rate programs, the console will regularly compare your heart rate to the target heart rate setting. If your heart rate is too far below or above the target heart rate setting, the resistance of the pedals will automatically increase or decrease to bring your heart rate closer to the target heart rate setting.

The Target Pace guide will prompt you to increase or decrease your pedaling pace during the program. When one of the “Too Slow” indicators lights, increase your pace. When the one of the “Too Fast” indicators lights, decrease your pace. When the “On Pace” indicator lights, maintain your current pace.

<i>Target Pace</i>	<i>Target Pace</i>	<i>Target Pace</i>
<i>Too Fast</i>	<i>Too Fast</i>	<i>Too Fast</i>
○ <i>On Pace</i>	○ <i>On Pace</i>	● <i>On Pace</i>
▲ <i>Too Slow</i>	<i>Too Slow</i>	<i>Too Slow</i>

**Important: The target heart rate settings are intended only to provide motivation. Your actual heart rate may be slower than the target heart rate settings. Make sure to exercise at a pace that is comfortable for you.**

Note: During the program, you can manually override the resistance setting for the current segment, if desired, with the 1 Step Resistance buttons. However, when the console compares your heart rate to the target heart rate setting, the resistance of the pedals may automatically increase or decrease to bring your heart rate closer to the target heart rate setting.

If you stop pedaling for several seconds, a tone will sound and the program will pause. To restart the program, simply resume pedaling.

**6 Monitor your progress with the displays.**

See step 4 on page 10.

**7 Turn on the fan if desired.**

See step 6 on page 11.

**8 When you are finished exercising, the console will automatically turn off.**

See step 7 on page 11.

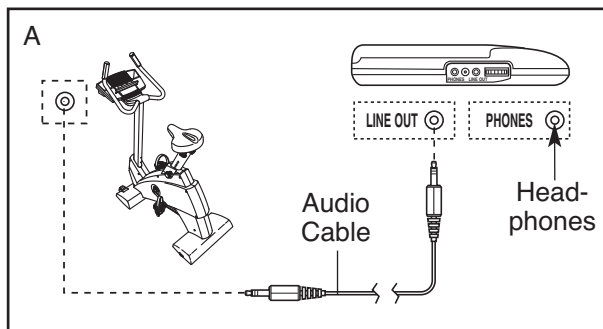
## HOW TO CONNECT YOUR CD PLAYER, VCR, OR COMPUTER

To use **iFIT.com CDs**, the exercise cycle must be connected to your portable CD player, portable stereo, home stereo, or computer with CD player. See pages 15 and 16 for connecting instructions. To use **iFIT.com videocassettes**, the exercise cycle must be connected to your VCR. See page 17 for connecting instructions. To use **iFIT.com programs directly from our Web site**, the exercise cycle must be connected to your home computer. See page 16 for connecting instructions.

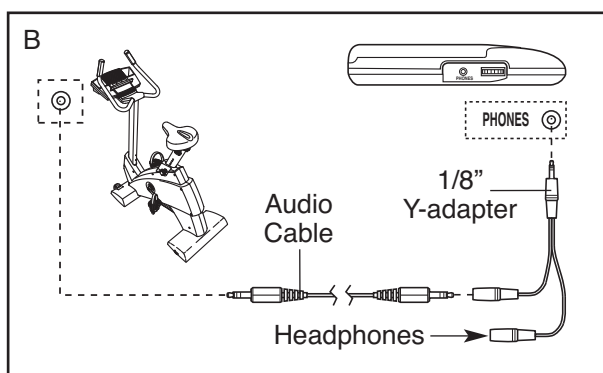
## HOW TO CONNECT YOUR PORTABLE CD PLAYER

**Note:** If your CD player has separate **LINE OUT** and **PHONES** jacks, see instruction A below. If your CD player has only one jack, see instruction B.

- A. Plug one end of the audio cable into the jack beneath the console. Plug the other end of the cable into the **LINE OUT** jack on your CD player. Plug your headphones into the **PHONES** jack.



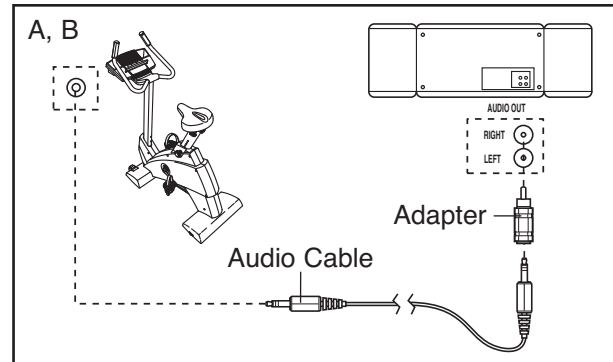
- B. Plug one end of the audio cable into the jack beneath the console. Plug the other end of the cable into a 1/8" Y-adapter (available at electronics stores). Plug the Y-adapter into the **PHONES** jack on your CD player. Plug your headphones into the other side of the Y-adapter.



## HOW TO CONNECT YOUR PORTABLE STEREO

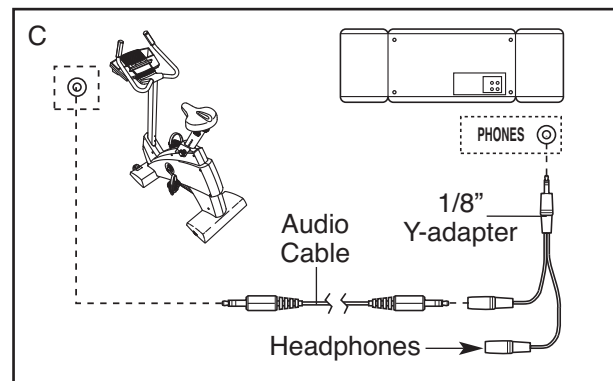
**Note:** If your stereo has an **RCA-type AUDIO OUT** jack, see instruction A below. If your stereo has a 1/8" **LINE OUT** jack, see instruction B. If your stereo has only a **PHONES** jack, see instruction C.

- A. Plug one end of the audio cable into the jack beneath the console. Plug the other end of the cable into the adapter. Plug the adapter into an **AUDIO OUT** jack on your stereo.



- B. Plug one end of the audio cable into the jack beneath the console. Plug the other end of the cable into the **LINE OUT** jack on your stereo. Do not use the adapter.

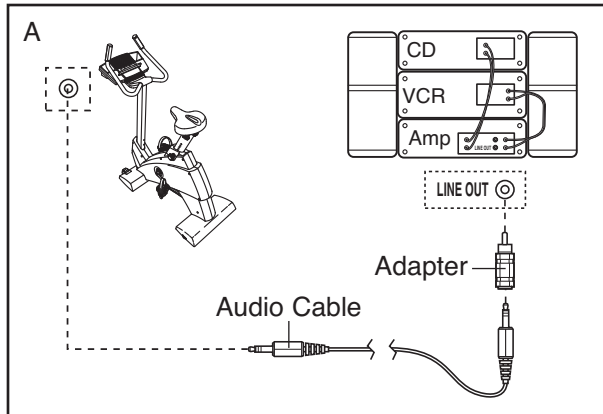
- C. Plug one end of the audio cable into the jack beneath the console. Plug the other end of the cable into a 1/8" Y-adapter (available at electronics stores). Plug the Y-adapter into the **PHONES** jack on your stereo. Plug your headphones into the other side of the Y-adapter.



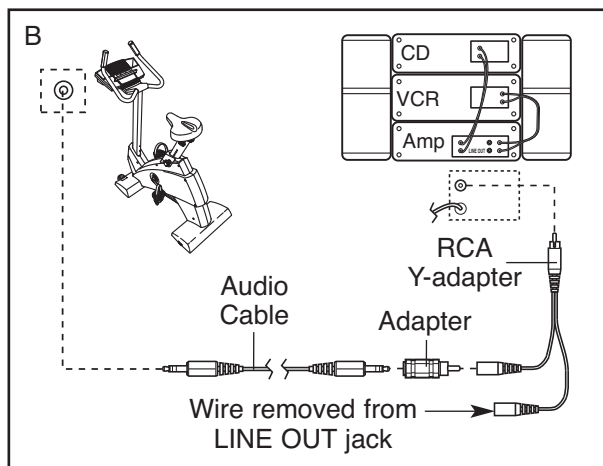
## HOW TO CONNECT YOUR HOME STEREO

**Note:** If your stereo has an unused **LINE OUT** jack, see instruction **A** below. If the **LINE OUT** jack is being used, see instruction **B**.

- A. Plug one end of the audio cable into the jack beneath the console. Plug the other end of the cable into the adapter. Plug the adapter into the **LINE OUT** jack on your stereo.



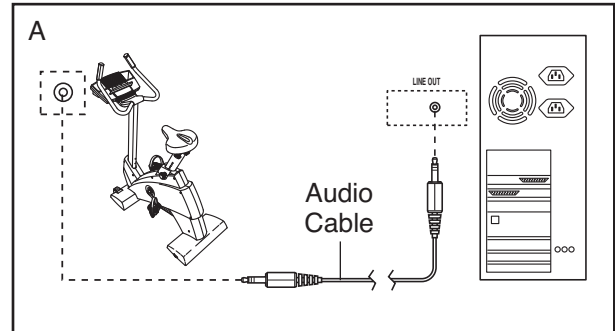
- B. Plug one end of the audio cable into the jack beneath the console. Plug the other end of the cable into the adapter. Plug the adapter into an **RCA Y-adapter** (available at electronics stores). Next, remove the wire that is currently plugged into the **LINE OUT** jack on your stereo and plug the wire into the unused side of the Y-adapter. Plug the Y-adapter into the **LINE OUT** jack on your stereo.



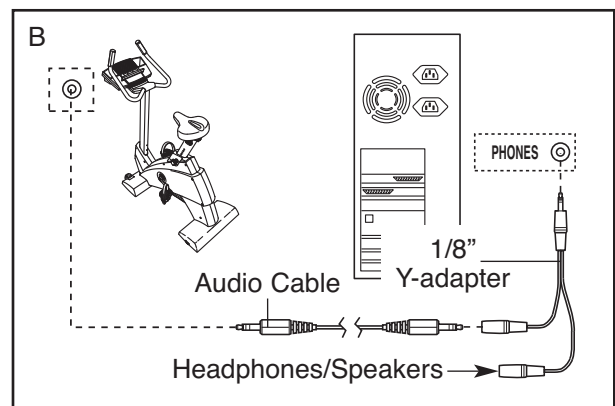
## HOW TO CONNECT YOUR COMPUTER

**Note:** If your computer has a **1/8" LINE OUT** jack, see instruction **A**. If your computer has only a **PHONES** jack, see instruction **B**.

- A. Plug one end of the audio cable into the jack beneath the console. Plug the other end of the cable into the **LINE OUT** jack on your computer.



- B. Plug one end of the audio cable into the jack beneath the console. Plug the other end of the cable into a **1/8" Y-adapter** (available at electronics stores). Plug the Y-adapter into the **PHONES** jack on your computer. Plug your headphones or speakers into the other side of the Y-adapter.

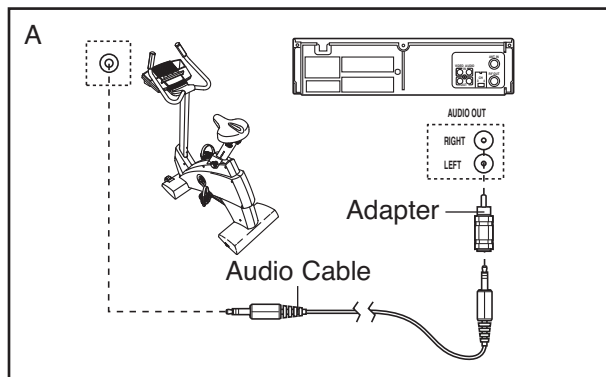




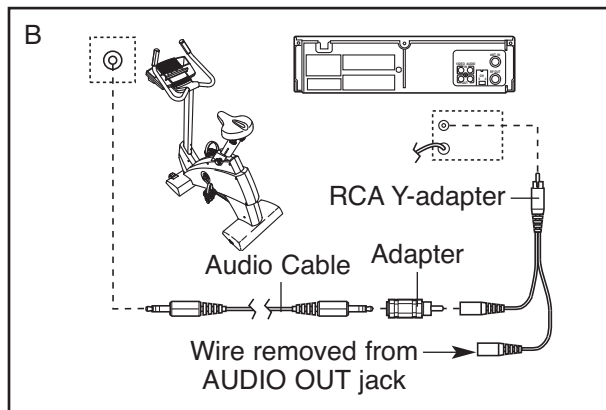
## HOW TO CONNECT YOUR VCR

**Note:** If your VCR has an unused AUDIO OUT jack, see instruction A below. If the AUDIO OUT jack is being used, see instruction B. If you have a TV with a built-in VCR, see instruction B. If your VCR is connected to your home stereo, see **HOW TO CONNECT YOUR HOME STEREO** on page 16.

- A. Plug one end of the audio cable into the jack beneath the console. Plug the other end of the cable into the adapter. Plug the adapter into the AUDIO OUT jack on your VCR.



- B. Plug one end of the audio cable into the jack beneath the console. Plug the other end of the cable into the adapter. Plug the adapter into an RCA Y-adapter (available at electronics stores). Next, remove the wire that is currently plugged into the AUDIO OUT jack on your VCR and plug the wire into the unused side of the Y-adapter. Plug the Y-adapter into the AUDIO OUT jack on your VCR.



## HOW TO USE AN IFIT.COM CD OR VIDEO PROGRAM

To use an iFIT.com CD or video program, the exercise cycle must be connected to your CD player or VCR. See **HOW TO CONNECT YOUR CD PLAYER, VCR, OR COMPUTER** on pages 15 to 17. **To purchase iFIT.com CDs or videocassettes, call the toll-free telephone number on the front cover of this manual.**

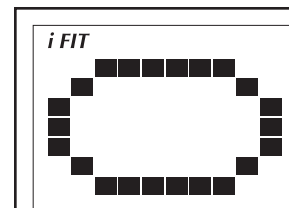
Follow the steps below to use an iFIT.com CD or video program.

- 1** Press any button on the console or begin pedaling to turn on the console.

See step 1 on page 10.

- 2** Select the iFIT.com mode.

To select the iFIT.com mode, press the iFIT button. The track and the letters "iFIT" will appear.



- 3** Press the Play button on your CD player or VCR.

Note: If you are using an iFIT.com CD, insert the CD into your CD player; if you are using an iFIT.com videocassette, insert the videocassette into your VCR.

A moment after the play button is pressed, your personal trainer will begin guiding you through your workout. Simply follow your personal trainer's instructions.

The program will function in almost the same way as a preset program (see step 3 on page 12). However, an electronic "chirping" sound will alert you when the resistance setting and/or pace setting is about to change.

**Note:** If the resistance of the pedals and/or the pace setting does not change when a “chirp” is heard:

- Make sure that the letters “iFIT” appear in the display.
- Adjust the volume of your CD player or VCR. If the volume is too high or too low, the console may not detect the program signals.
- Make sure that the audio cable is properly connected and that it is fully plugged in.

**4 Monitor your progress with the displays.**

See step 4 on page 10.

**5 Measure your heart rate as desired.**

See step 5 on page 11.

**6 Turn on the fan if desired.**

See step 6 on page 11.

**7 When you are finished exercising, the console will automatically turn off.**

See step 7 on page 11.

### HOW TO USE AN iFIT.COM PROGRAM DIRECTLY FROM OUR WEB SITE

Our Web site at [www.iFIT.com](http://www.iFIT.com) allows you to play iFIT.com programs directly from the internet. To use programs from our Web site, the exercise cycle must be connected to your home computer. See HOW TO CONNECT YOUR COMPUTER on page 16. In addition, you must have an internet connection and an internet service provider. A list of specific system requirements is found on our Web site.

Follow the steps below to use a program from our Web site.

**1 Press any button on the console or begin pedaling to turn on the console.**

See step 1 on page 10.

**2 Select the iFIT.com mode.**

See step 2 on page 17.

**3 Go to your computer and start an internet connection.**

**4 Start your Web browser, if necessary, and go to our Web site at [www.iFIT.com](http://www.iFIT.com).**

**5 Follow the desired links on our Web site to select a program.**

Read and follow the on-line instructions for using a program.

**6 Follow the on-line instructions to start the program.**

When you start the program, an on-screen countdown will begin.

**7 Return to the exercise cycle and begin pedaling.**

When the on-screen countdown ends, the program will begin. The program will function in almost the same way as a preset program (see step 3 on page 12). However, an electronic “chirping” sound will alert you when the resistance setting and/or pace setting is about to change.

**8 Monitor your progress with the displays.**

See step 4 on page 10.

**9 Measure your heart rate if desired.**

See step 5 on page 11.

**10 Turn on the fan if desired.**

See step 6 on page 11.

**11 When you are finished exercising, the console will automatically turn off.**

See step 7 on page 11.

# MAINTENANCE AND TROUBLESHOOTING

Inspect and tighten all parts of the exercise cycle regularly. Replace any worn parts immediately.

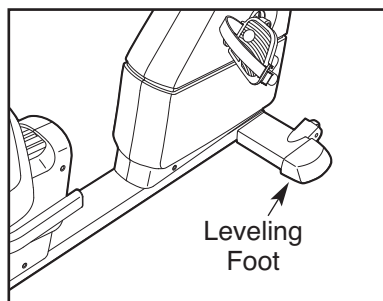
To clean the exercise cycle, use a damp cloth and a small amount of mild soap. **Important: To avoid damage to the console, keep liquids away from the console and keep the console out of direct sunlight.**

## BATTERY REPLACEMENT

If the console display becomes dim, the batteries should be replaced; most console problems are the result of low batteries. See assembly step 5 on page 5 for replacement instructions.

## HOW TO LEVEL THE EXERCISE CYCLE

After the exercise cycle has been moved to the location where it will be used, make sure that both ends of the front stabilizer are touching the floor. If the exercise cycle rocks slightly during use, turn one or both of the leveling feet under the front stabilizers until the rocking motion is eliminated.

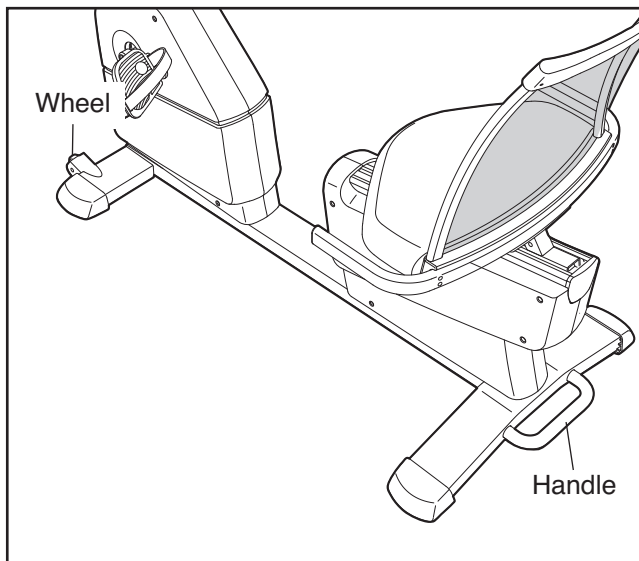


## HANDGRIP PULSE SENSOR TROUBLESHOOTING

If the handgrip pulse sensor does not function properly, see step 5 on page 11.

## HOW TO MOVE THE EXERCISE CYCLE

To move the exercise cycle, hold the handle on the rear stabilizer and carefully lift it until the exercise cycle can be moved on the front wheels. Carefully move the exercise cycle to the desired location and then lower it.



# CONDITIONING GUIDELINES

The following guidelines will help you to plan your exercise program. Remember that proper nutrition and adequate rest are essential for successful results.

**⚠ WARNING:** Before beginning this or any exercise program, consult your physician. This is especially important for persons over the age of 35 or persons with pre-existing health problems.

The pulse sensor is not a medical device. Various factors may affect the accuracy of heart rate readings. The pulse sensor is intended only as an exercise aid in determining heart rate trends in general.

## EXERCISE INTENSITY

Whether your goal is to burn fat or to strengthen your cardiovascular system, the key to achieving the desired results is to exercise with the proper intensity. The proper intensity level can be found by using your heart rate as a guide. The chart below shows recommended heart rates for fat burning, maximum fat burning, and cardiovascular (aerobic) exercise.

165	155	145	140	130	125	115	♥
145	138	130	125	118	110	103	♥
125	120	115	110	105	95	90	♥
20	30	40	50	60	70	80	

To find the proper heart rate for you, first find your age at the bottom of the chart (ages are rounded off to the nearest ten years). Next, find the three numbers above your age. The three numbers are your “training zone.” The lowest number is the recommended heart rate for fat burning; the middle number is the recommended heart rate for maximum fat burning; the highest number is the recommended heart rate for aerobic exercise.

### Fat Burning

To burn fat effectively, you must exercise at a relatively low intensity level for a sustained period of time.

During the first few minutes of exercise, your body uses easily accessible *carbohydrate* calories for energy. Only after the first few minutes of exercise does your body begin to use stored *fat* calories for energy. If your goal is to burn fat, adjust the intensity of your exercise until your heart rate is near the lowest number in your training zone as you exercise. For maximum fat burning, adjust the intensity of your exercise until your heart rate is near the middle number in your training zone as you exercise.

### Aerobic Exercise

If your goal is to strengthen your cardiovascular system, your exercise must be “aerobic.” Aerobic exercise is activity that requires large amounts of oxygen for prolonged periods of time. This increases the demand on the heart to pump blood to the muscles, and on the lungs to oxygenate the blood. For aerobic exercise, adjust the intensity of your exercise until your heart rate is near the highest number in your training zone.

## WORKOUT GUIDELINES

Each workout should include the following three parts:

**A warm-up**, consisting of 5 to 10 minutes of stretching and light exercise. A proper warm-up increases your body temperature, heart rate, and circulation in preparation for exercise.

**Training zone exercise**, consisting of 20 to 30 minutes of exercising with your heart rate in your training zone. Note: During the first few weeks of your exercise program, do not keep your heart rate in your training zone for longer than 20 minutes.

**A cool-down**, with 5 to 10 minutes of stretching. This will increase the flexibility of your muscles and will help to prevent post-exercise problems.

## EXERCISE FREQUENCY

To maintain or improve your condition, plan three workouts each week, with at least one day of rest between workouts. After a few months of regular exercise, you may complete up to five workouts each week, if desired. Remember, the key to success is make exercise a regular and enjoyable part of your everyday life.

# PART LIST—Model No. NTC4015.2

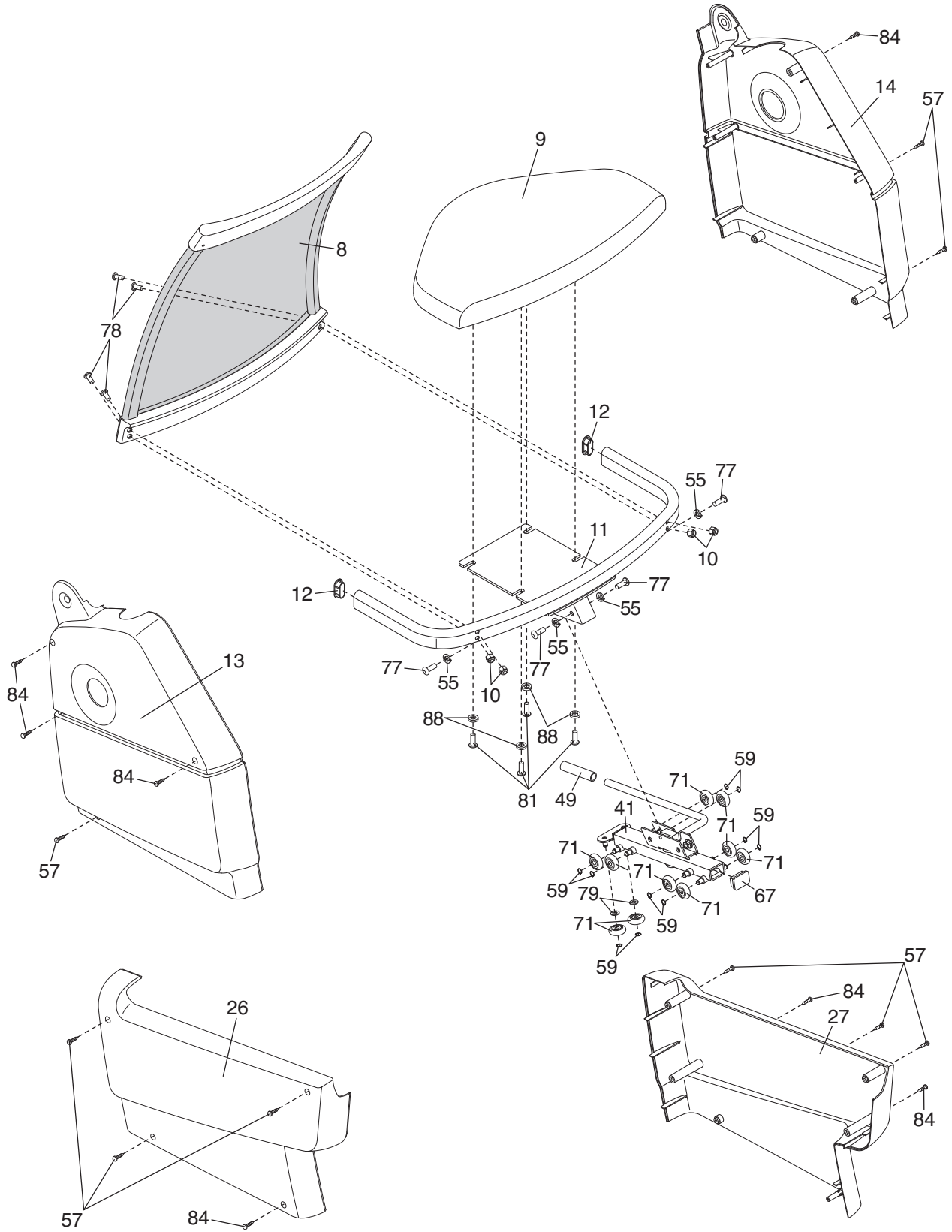
R0106A

Key No.	Qty.	Description	Key No.	Qty.	Description
1	1	Frame	47	1	Drive Belt
2	1	Upright	48	2	Rear Stabilizer Endcap
3	1	Left Handlebar	49	1	Foam Grip
4	1	Console	50	2	Flange Screw
5	1	Right Handlebar	51	1	Pulse Extension Wire
6	2	Pulse Sensor	52	4	M8 x 50mm Button Screw
7	1	Adjustment Knob	53	1	Pillow Block
8	1	Backrest	54	6	M8 x 16mm Button Screw
9	1	Seat	55	14	M8 Split Washer
10	4	M8 Nylon Locknut	56	1	Seat Rail Endcap
11	1	Seat Bracket	57	11	M4 x 16mm Screw
12	2	Seat Bracket Endcap	58	4	M6 x 13mm Button Screw
13	1	Left Front Side Shield	59	10	Small Snap Ring
14	1	Right Front Side Shield	60	2	M4 x 22mm Screw
15	1	Left Front Stabilizer	61	1	Snap Ring
16	1	Rear Stabilizer	62	1	M10 x 63mm Bolt Set
17	2	Wheel	63	4	Wheel Bushing
18	1	Right Pedal Strap	64	2	M6 Nut
19	2	Leveling Foot	65	1	Stop Block
20	2	Upright Bushing	66	2	Front Stabilizer Endcap
21	1	Right Pedal	67	1	Seat Carriage Endcap
22	1	Left Pedal	68	1	M8 x 38mm Bolt
23	1	Right Crank Arm	69	2	Wheel Bolt
24	1	Left Crank Arm	70	1	M6 x 38mm Bolt
25	1	Left Pedal Strap	71	10	Seat Carriage Wheel
26	1	Left Side Shield	72	8	M6 Nylon Locknut
27	1	Right Side Shield	73	4	M6 x 20mm Button Bolt
28	1	Large Snap Ring	74	1	Water Bottle Holder
29	1	Pulley	75	2	Pulse Wire
30	1	Magnet	76	4	M6 x 36mm Button Bolt
31	1	Crank	77	4	M8 x 19mm Button Screw
32	1	Steel Washer	78	4	M8 x 41mm Button Bolt
33	2	Crank Bearing	79	2	Wheel Washer
34	1	Flywheel	80	4	M4 x 16mm Round Head Screw
35	1	"C" Magnet	81	4	M6 x 16mm Button Screw
36	1	Resistance Cable	82	4	M4 x 16mm Flange Screw
37	1	Spring	83	1	Frame Endcap
38	1	Resistance Motor	84	9	M4 x 19mm Screw
39	1	Idler	85	2	Crank Cover
40	1	Right Front Stabilizer	86	1	M8 x 52mm Button Bolt
41	1	Seat Carriage	87	1	M8 Flange Nut
42	1	Upper Wire Harness	88	4	M6 Washer
43	1	Lower Wire Harness	89	3	M8 Jamnut
44	1	Flywheel Spacer	#	1	Allen Wrench
45	1	Clamp	#	1	User's Manual
46	1	Reed Switch/Wire			

Note: "#" indicates a non-illustrated part. Specifications are subject to change without notice. See the back cover of this manual for information about ordering replacement parts.

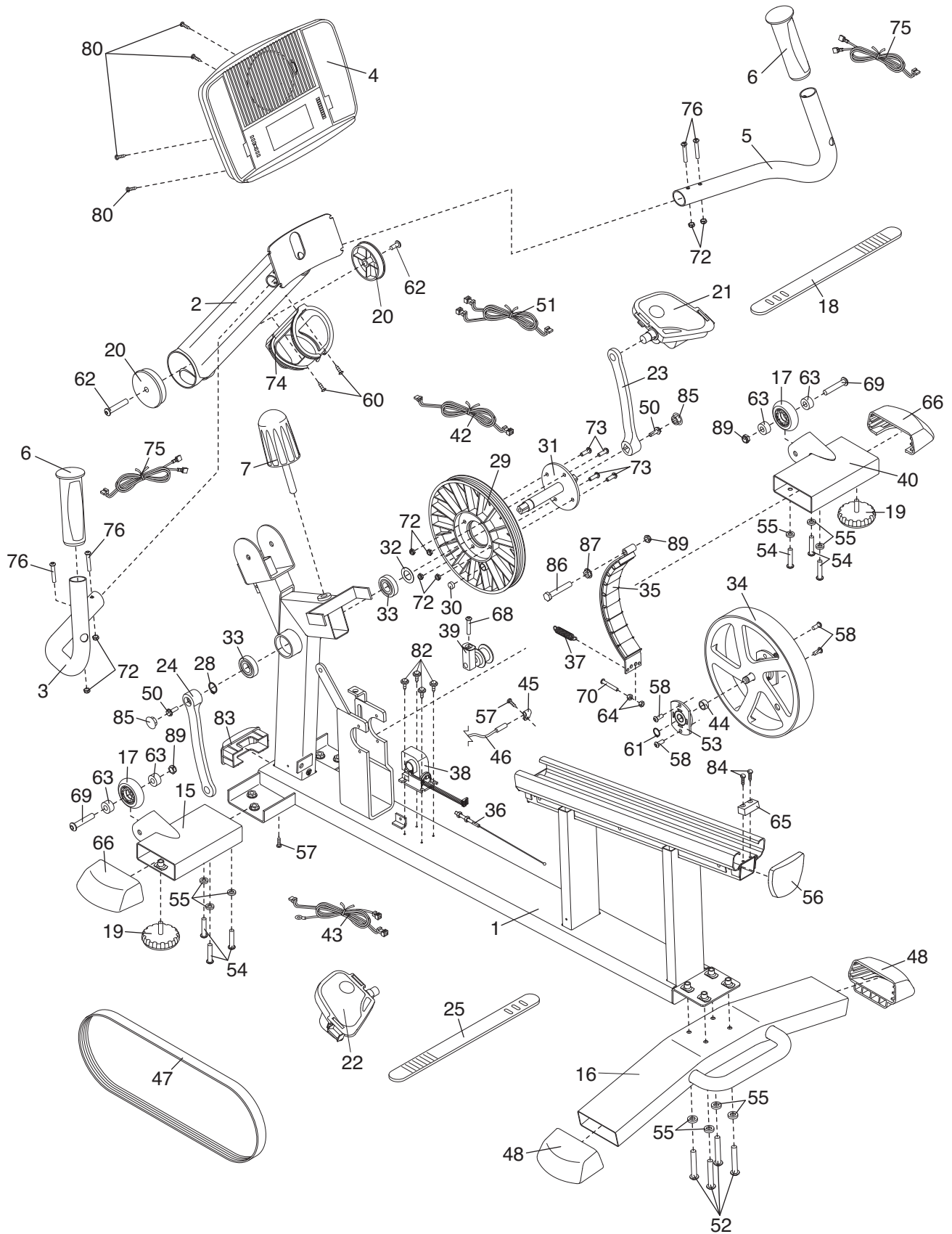
# EXPLODED DRAWING A—Model No. NTC4015.2

R0106A



# EXPLODED DRAWING B—Model No. NTC4015.2

R0106A



# HOW TO ORDER REPLACEMENT PARTS

To order replacement parts, please see the front cover of this manual. To help us assist you, be prepared to give the following information:

- the MODEL NUMBER of the product (NTC4015.2)
- the NAME of the product (NordicTrack SL 728 exercise cycle)
- the SERIAL NUMBER of the product (see the front cover of this manual)
- the KEY NUMBER and DESCRIPTION of the part(s) (see the PART LIST on page 21)

## LIMITED WARRANTY

**WHAT IS COVERED**—The entire NordicTrack® exercise cycle (“Product”) is warranted to be free of all defects in material and workmanship.

**WHO IS COVERED**—The original purchaser or any person receiving the Product as a gift from the original purchaser.

**HOW LONG IS IT COVERED**—ICON Health & Fitness, Inc. (“ICON”), warrants the product for one year after the date of purchase. Labor is covered for one year.

**WHAT WE DO TO CORRECT COVERED DEFECTS**—We will ship to you, without charge, any replacement part or component, providing the repairs are authorized by ICON first and are performed by an ICON trained and authorized service provider, or, at our option, we will replace the Product.

**WHAT IS NOT COVERED**—Any failures or damage caused by unauthorized service, misuse, accident, negligence, improper assembly or installation, alterations, modifications without our written authorization or by failure on your part to use, operate, and maintain as set out in your User’s Manual (“Manual”).

**WHAT YOU MUST DO**—Always retain proof of purchase, such as your bill of sale; store, operate, and maintain the Product as specified in the Manual; notify our Customer Service Department of any defect within 10 days after discovery of the defect; as instructed, return any defected part for replacement or, if necessary, the entire product, for repair.

**USER’S MANUAL**—It is VERY IMPORTANT THAT YOU READ THE MANUAL before operating the Product. Remember to do the periodic maintenance requirements specified in the Manual to assure proper operation and your continued satisfaction.

**HOW TO GET PARTS AND SERVICE**—Simply call our Customer Service Department at 1-888-825-2588 and tell them your name and address and the serial number of your Product. They will tell you how to get a part replaced, or if necessary, arrange for service where your Product is located or advise you how to ship the Product for service. Before shipping, always obtain a Return Authorization Number (RA No.) from our Customer Service Department; securely pack your Product (save the original shipping carton if possible); put the RA No. on the outside of the carton and insure the product. Include a letter explaining the product or problem and a copy of your proof of purchase if you believe the service is covered by warranty.

ICON is not responsible or liable for indirect, special or consequential damages arising out of or in connection with the use or performance of the product or damages with respect to any economic loss, loss of property, loss of revenues or profits, loss of enjoyment or use, costs of removal, installation or other consequential damages of whatsoever nature. Some states do not allow the exclusion or limitation of incidental or consequential damages. Accordingly, the above limitation may not apply to you.

The warranty extended hereunder is in lieu of any and all other warranties and any implied warranties of merchantability or fitness for a particular purpose is limited in its scope and duration to the terms set forth herein. Some states do not allow limitations on how long an implied warranty lasts. Accordingly, the above limitation may not apply to you.

No one is authorized to change, modify or extend the terms of this limited warranty. This warranty gives you specific legal rights and you may have other rights which vary from state to state.

**ICON HEALTH & FITNESS, INC., 1500 S. 1000 W., LOGAN, UT 84321-9813**